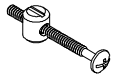


Assembling Instruction For W02D

Hardware



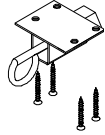
A*4
(6*60)



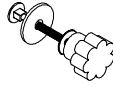
B*4
(3.5*25)



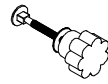
C*2
(4*25)



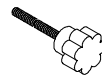
D*1



E*2
(6*45)



F*2
(6*35)



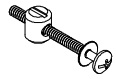
G*1
(6*35)



H*2
(6*20)

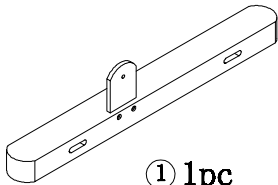


I*4

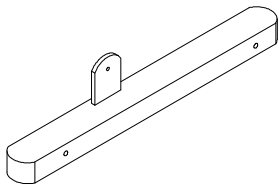


J*4

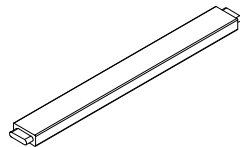
Components



① 1pc



② 1pc



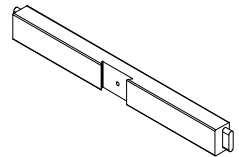
③ 2pcs



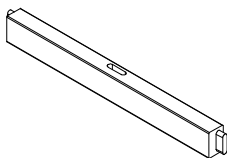
④ 1pc



⑤ 1pc



⑥ 1pc



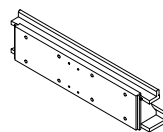
⑦ 1pc



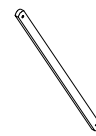
⑧ 1pc



⑨ 1pc



⑩ 1pc



⑪ 2pcs



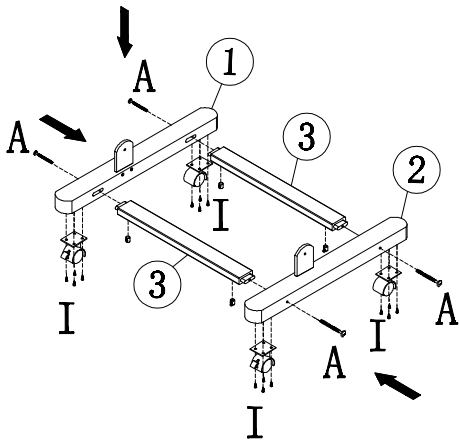
⑫ 1pc



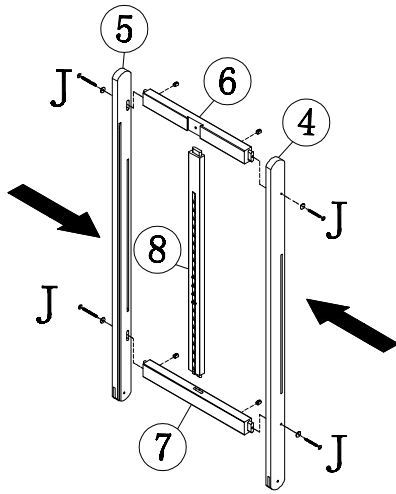
⑬ 1pc

Assembling Instruction For W02D

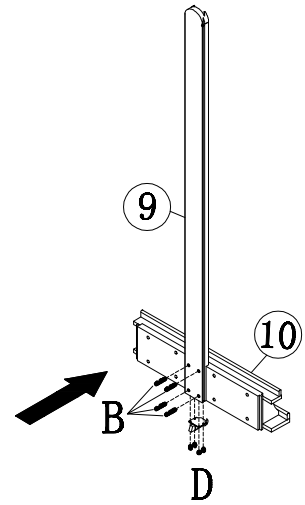
①



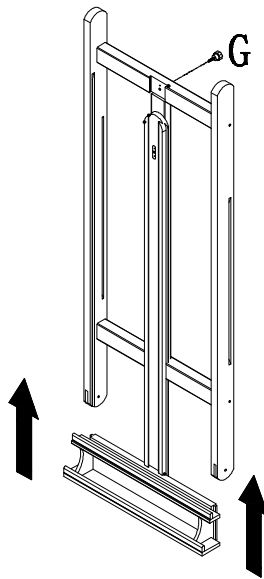
②



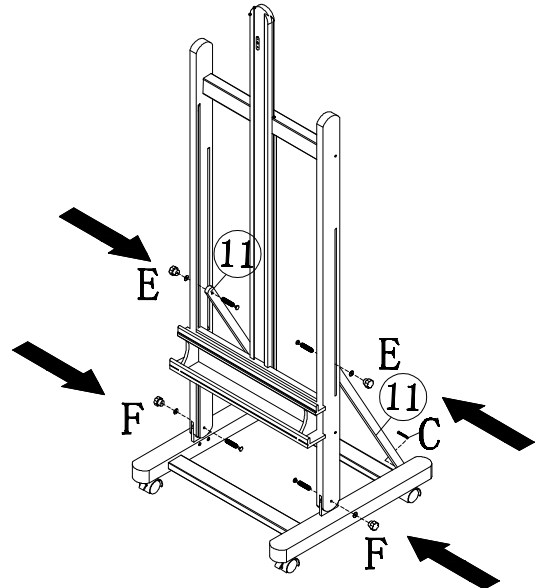
③



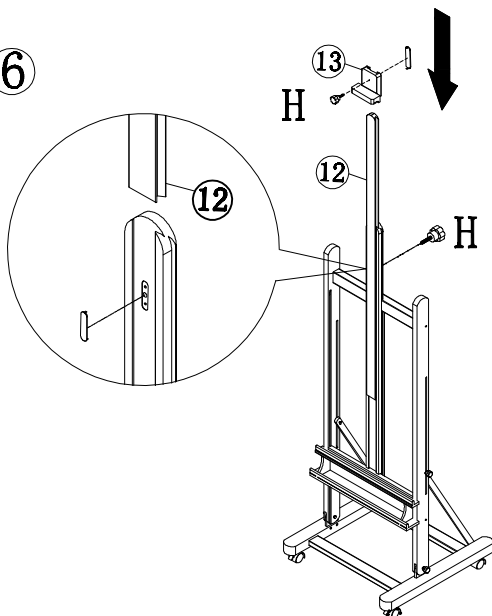
④



⑤



⑥



⑦

