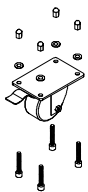


Assembling Instruction For DHJ-5

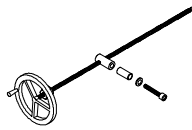
Hardware



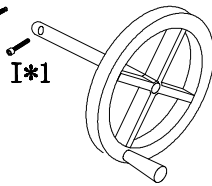
A*4



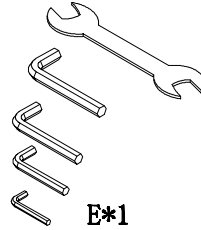
B*8



C*1



D*1



E*1



F*1

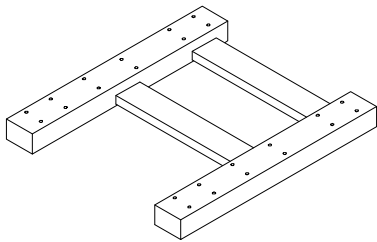


G*1

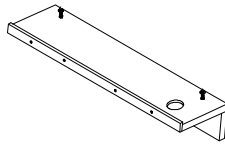


H*1

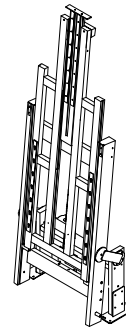
Components



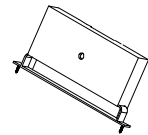
① pc



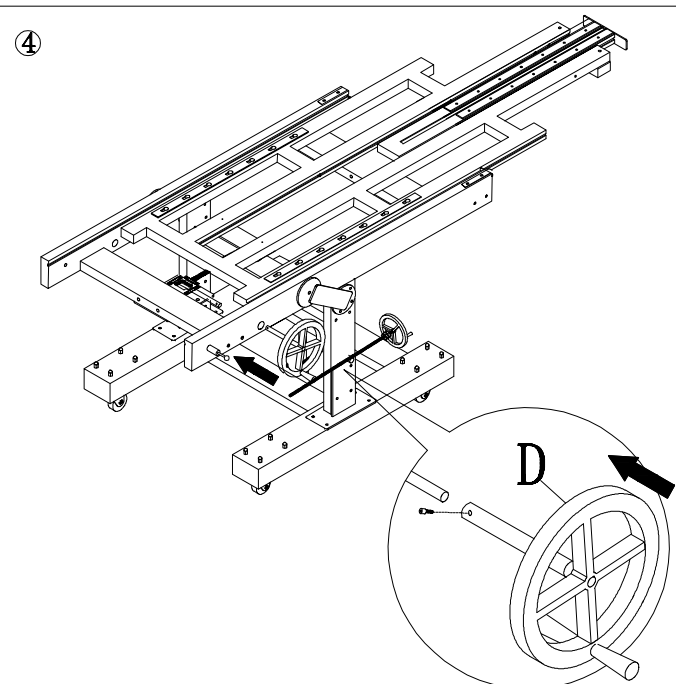
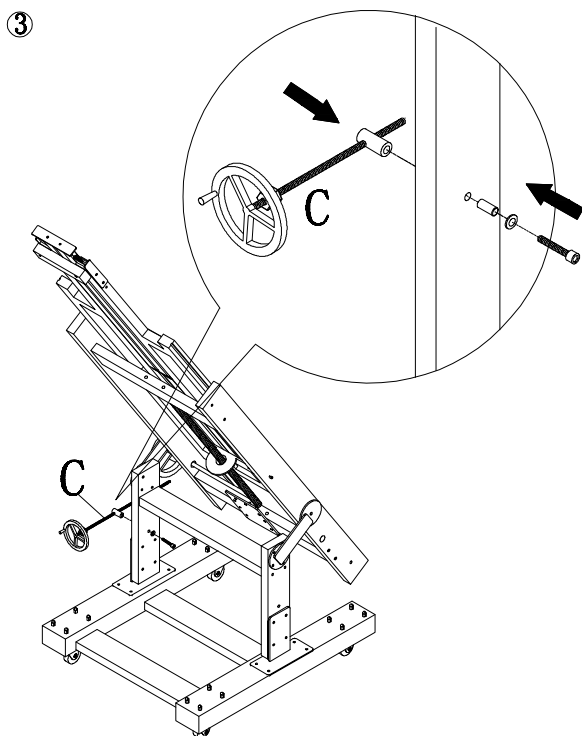
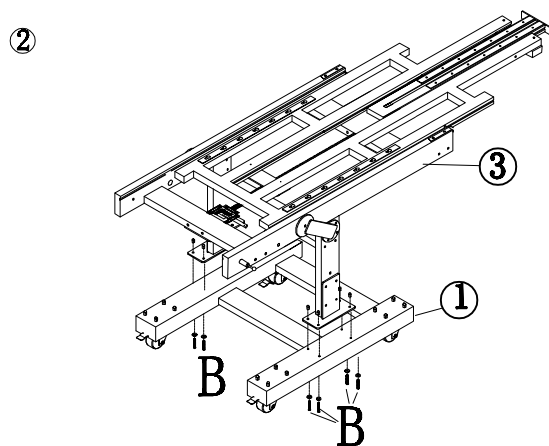
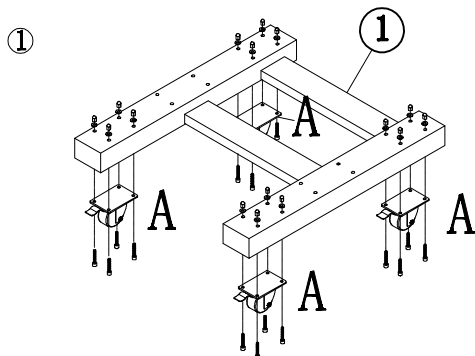
② 1pc



③ 1pc

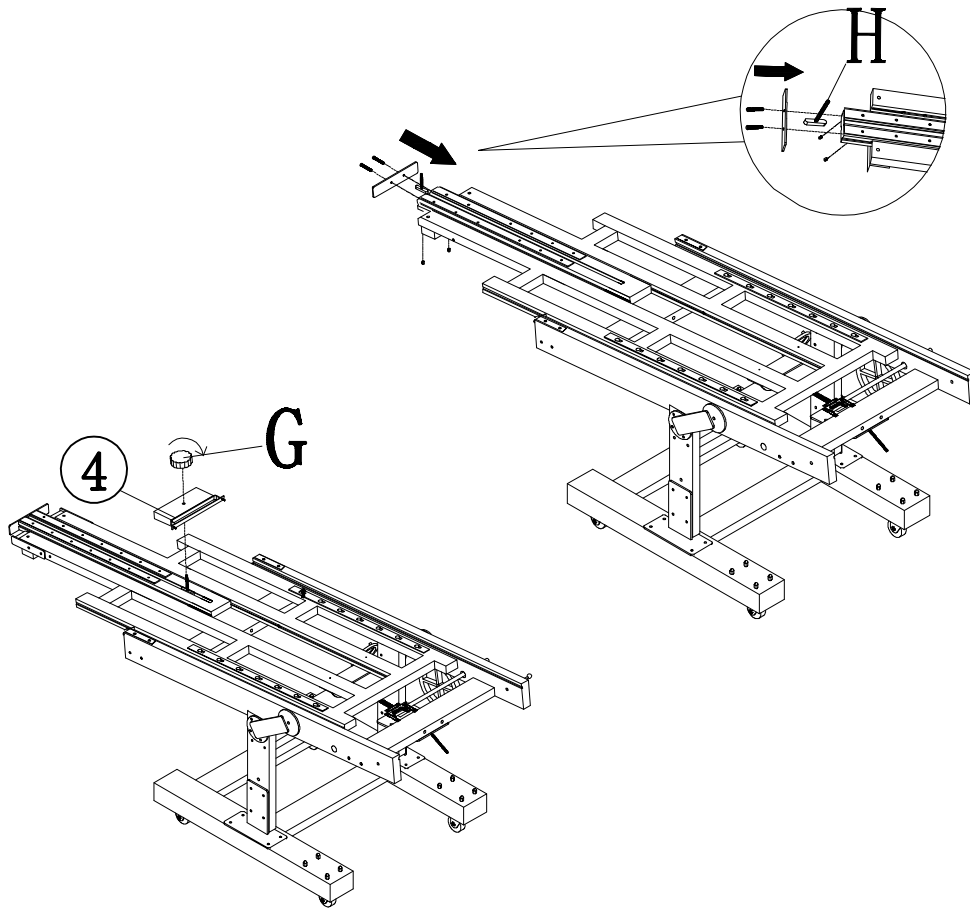


④ 1pc

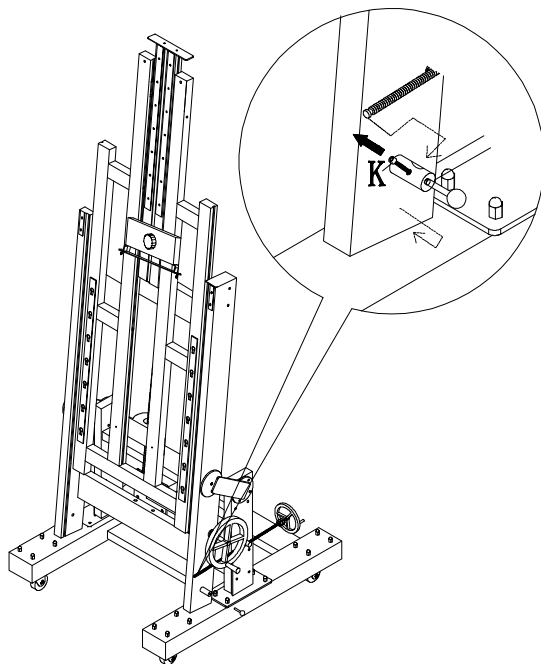


Assembling Instruction For DHJ-5

⑤



⑥



⑦

